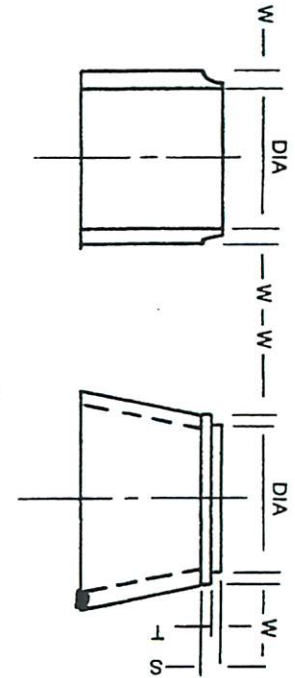


**Design Notes:**

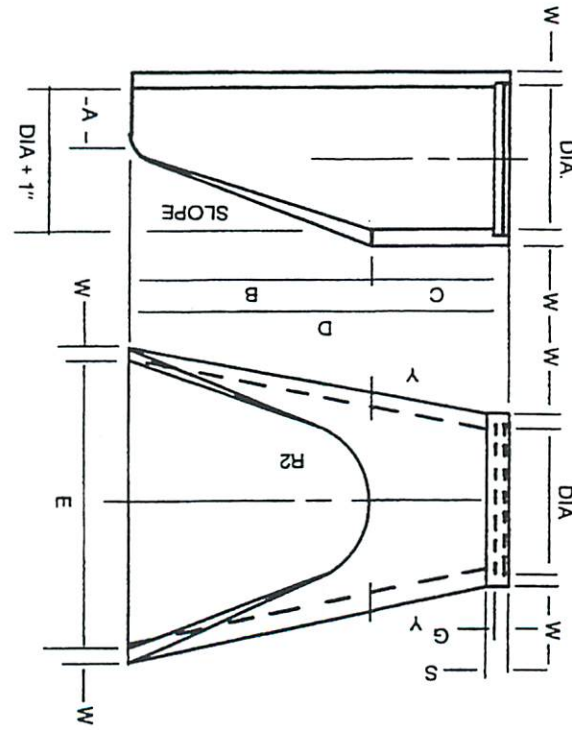
1. The joints are to be compatible with the main run of pipe.

DIA	W	A	B	C	D	E	P	R1	R2	S	GORT	SLOPE
48	5	24	6-0	2-2	8-2	7-0	55 1/2	49	28 1/2	22	5 3/4	3:3
42	4 1/2	21	5-3	2-11	8-2	6-6	53 7/8	43	37 1/2	22	5 1/2	3:1
36	4	15	5-3	2-10 3/4	8-1 3/4	6-0	47 13/16	37	24 3/16	20	5 1/2	3:1
30	3 1/2	12	4-6	1-7 3/4	6-1 3/4	5-0	37	31	18 1/2	15	5	3:1
27	3 1/4	10 1/2	4-0	2-1 1/2	6-1 1/2	4-6	36	28	18 3/16	14 1/2	4 1/2	3:1

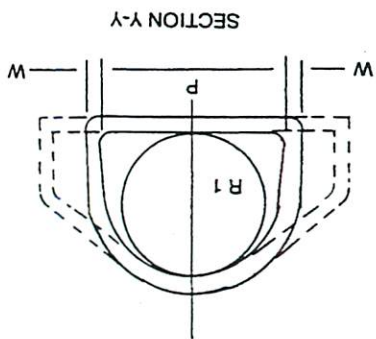
INLET END



OUTLET END



N.T.S.



**27"-48" R.C. Pipe Flared Ends**

**SCITUATE CONCRETE PIPE**



1-800-322-4488 • 781-545-0564 • fax 781-545-6021  
P. O. Box 870 • 1 Buckeye Lane • Scituate, MA 02066

**Building The Future**