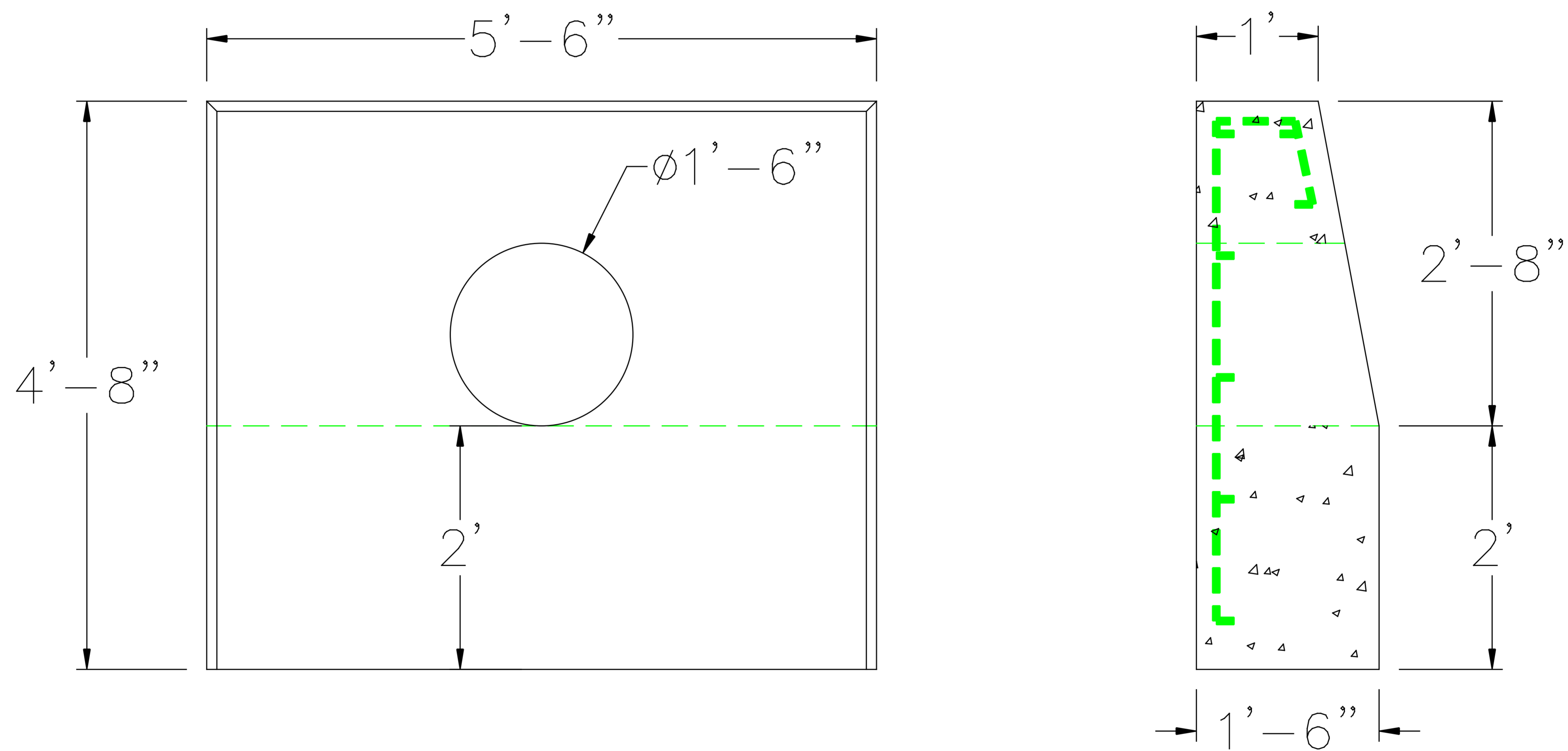
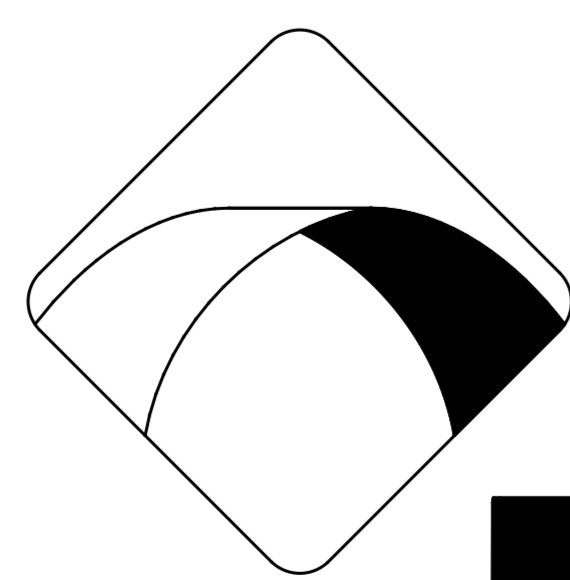


12" RCP HEADWALL



DESIGN NOTES:

1. CONCRETE 5,000 PSI @ 28 DAYS
2. REINFORCEMENT ASTM A-615 GRADE
60, 2" MIN. COVER #5 REBAR 12" O.C. 1 1/2" CLEARANCE
3. CONFORMS TO MHD STANDARD Dwg.206.4 - 1 1/2 : 1 SLOPE
4. WEIGHT = 5,300 lbs.



NPCC

Precast ... The Concrete Solution.



SCITUATE RAY PRECAST
120 CLAY PIT ROAD
MARSHFIELD, MA 02050
PHONE # 1-800-440-0009
FAX # 781-837-4320

CONTRACTOR:		JOB NAME:	
DATE:	DRAWING: SRP-HW12	DRAWING BY:	C. J. SCOTT