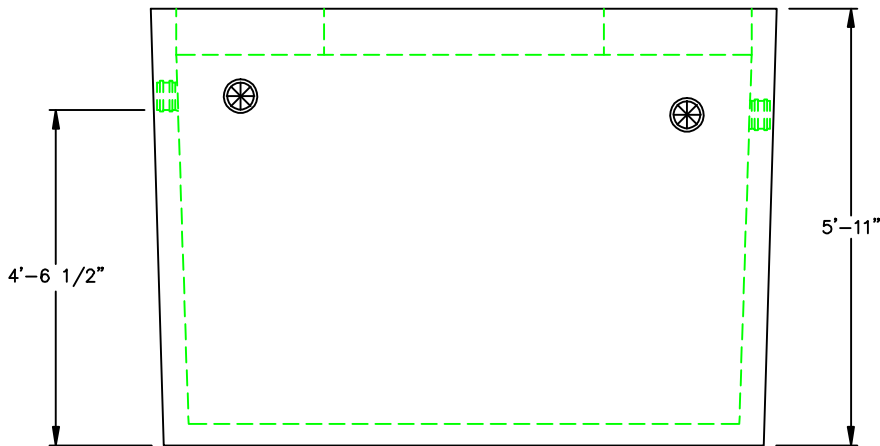
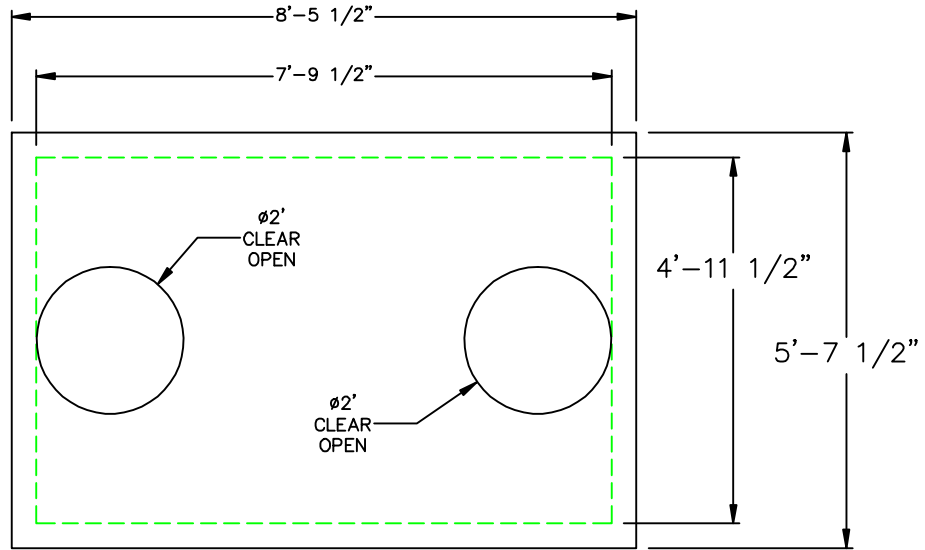


PEMBROKE 1,000 MONO H-20



SCITUATE RAY PRECAST
 120 CLAY PIT ROAD
 MARSHFIELD, MA 02050
 PHONE # 1-800-440-0009
 FAX # 781-837-4320

CONTRACTOR:
 SCITUATE COMPANIES

JOB NAME:
 77 POND STREET

DATE: 4/20/2018

APPROVED BY:

DRAWING BY: JOHN KASPER