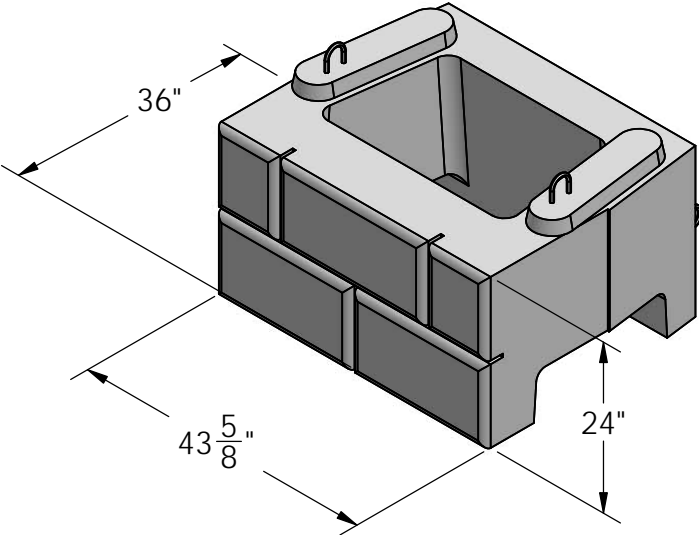


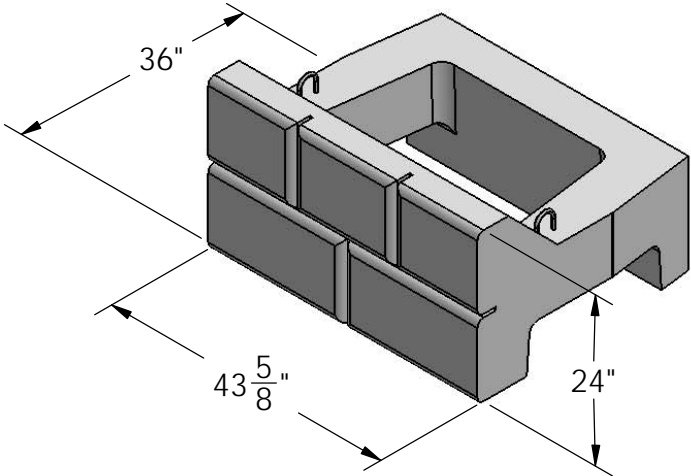
# SHORT BLOCK SERIES

44" SHORT BLOCK



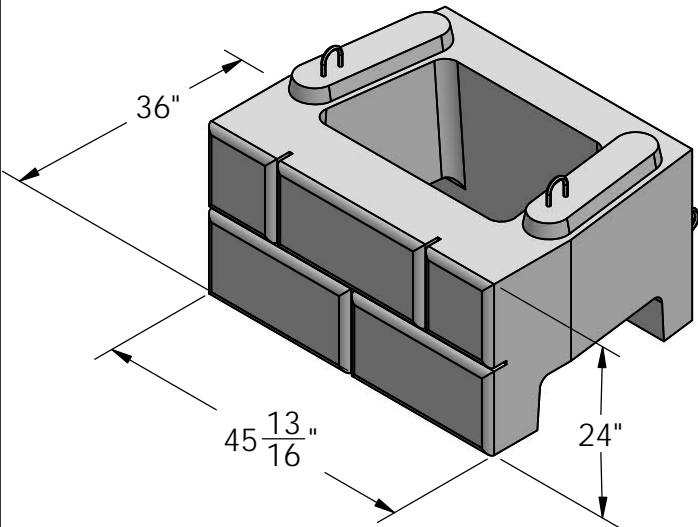
WEIGHT: 1657 lbs

44" SHORT TOP BLOCK



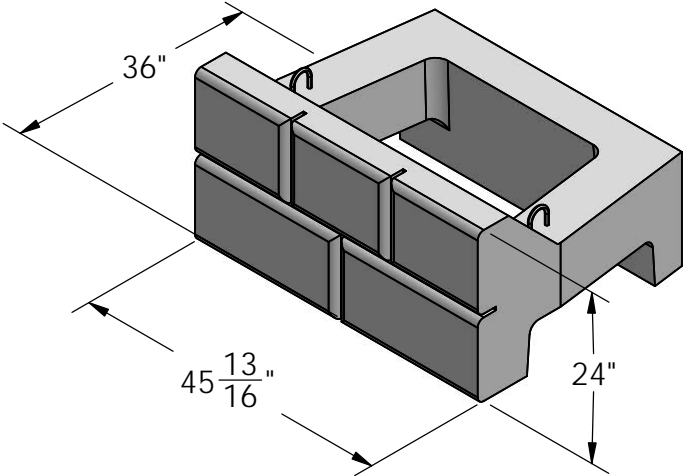
WEIGHT: 1226 lbs

46" SHORT BLOCK



WEIGHT: 1721 lbs

46" SHORT TOP BLOCK



WEIGHT: 1278 lbs



DRAWN BY	DATE
R FONTANESI	8/23/2016

16500 SOUTH 500 WEST  
BLUFFDALE, UTAH 84065  
PHONE: (801) 571-2028

TITLE: SHORT BLOCK SERIES

DWG NO. BD-19

SCALE: 1: 30 SHEET 1 OF 1